

TS FDM

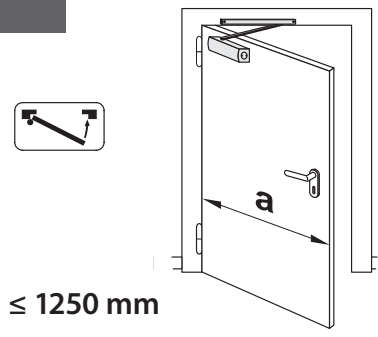
143507-04

GEZE

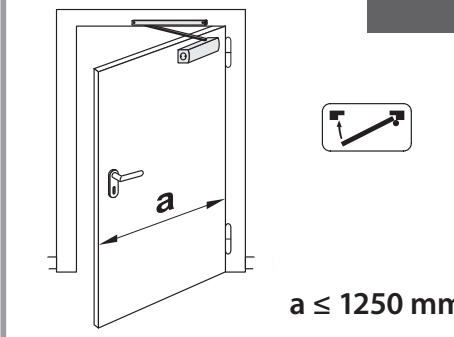


A

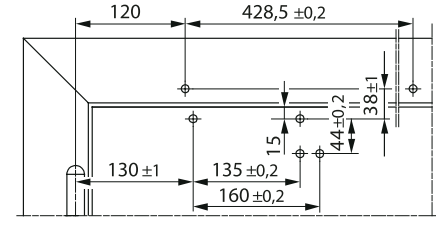
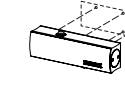
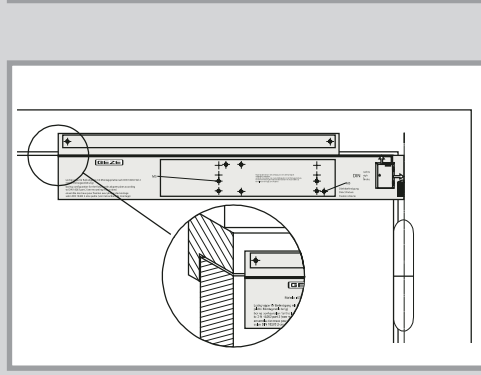
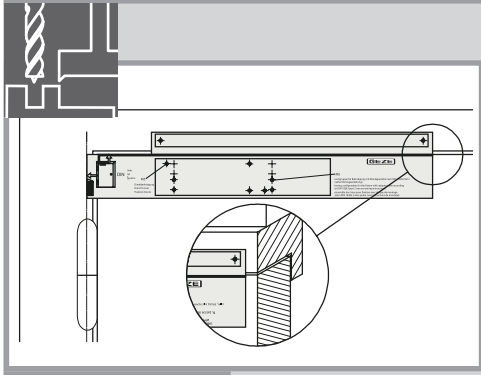
B



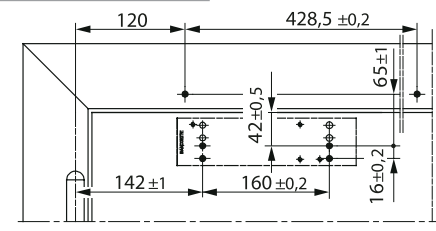
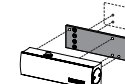
$a \leq 1250 \text{ mm}$



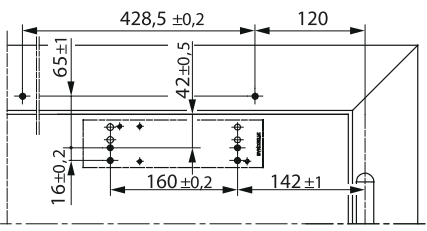
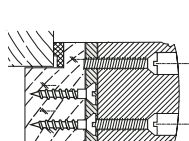
$a \leq 1250 \text{ mm}$



- 4x 5x60
- 4x M5x55

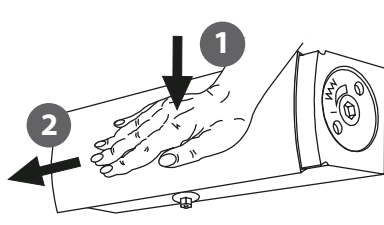


- 4x 5x35
- 4x M5x20

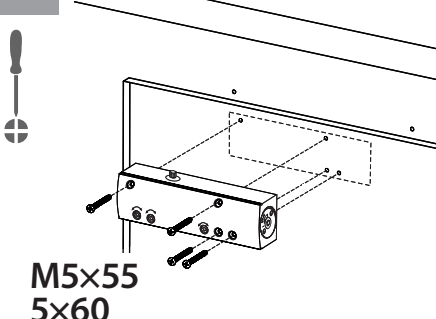


- 4x M5x45

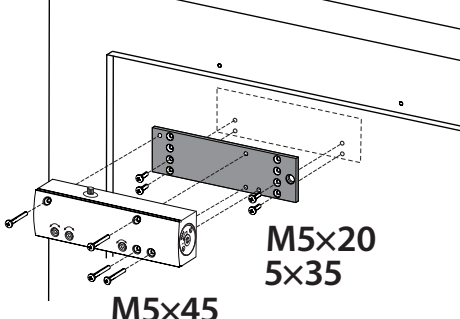
1



2

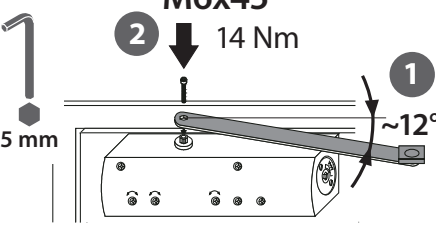


- M5x55
- 5x60

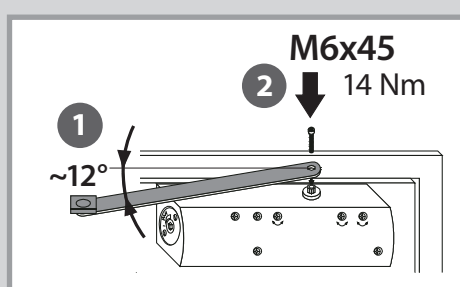


- M5x45
- 5x35

3

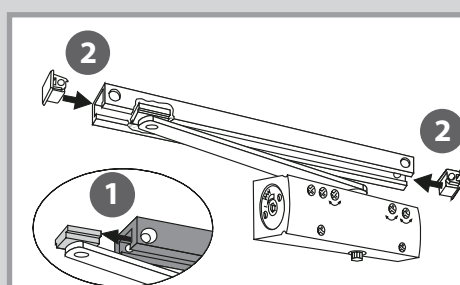
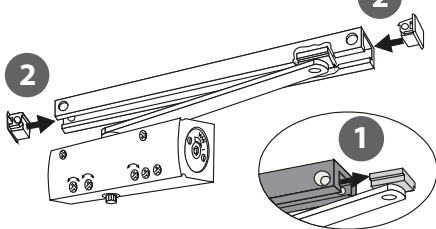


- M6x45
- 14 Nm

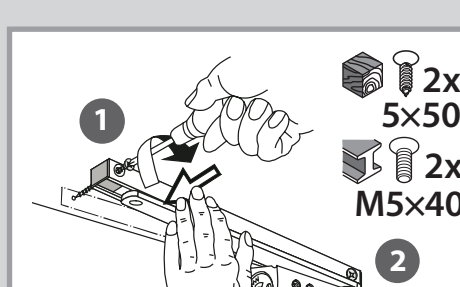


- M6x45
- 14 Nm

4

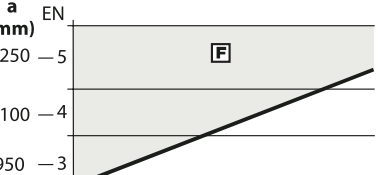
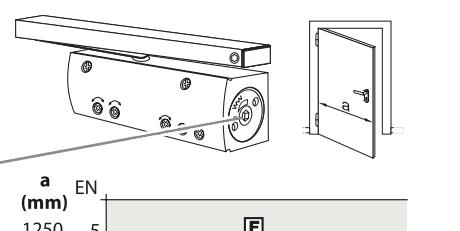
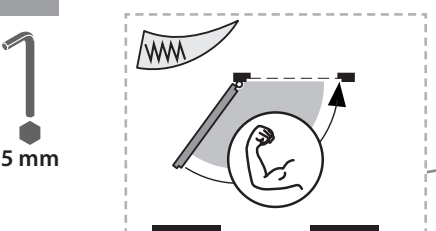


5

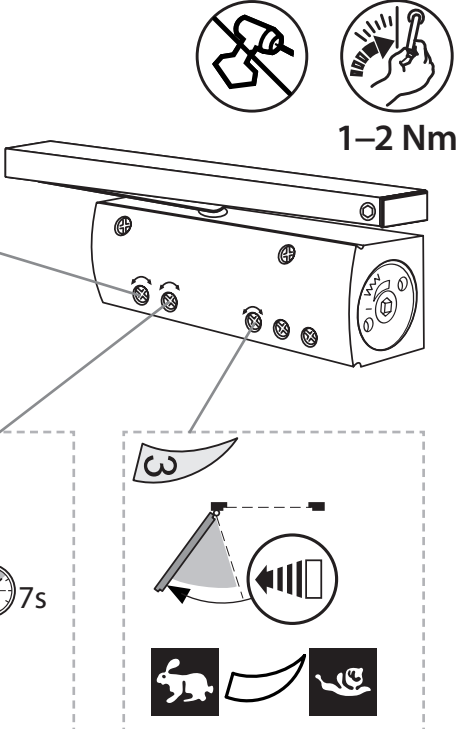
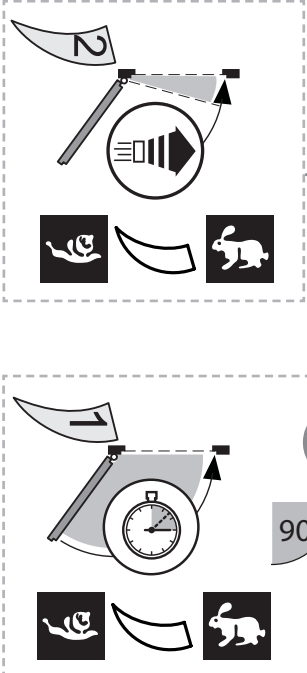


- 2x 5x50
- 2x M5x40

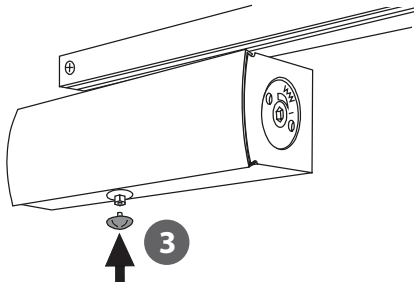
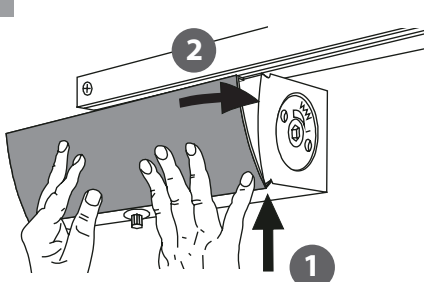
6



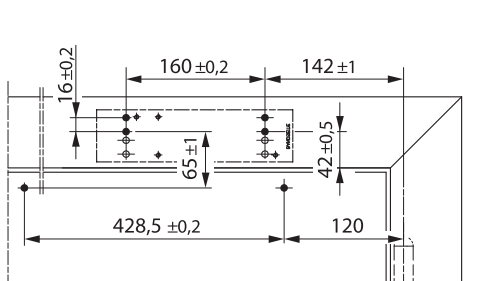
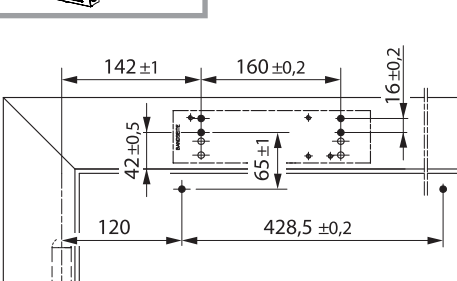
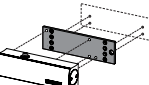
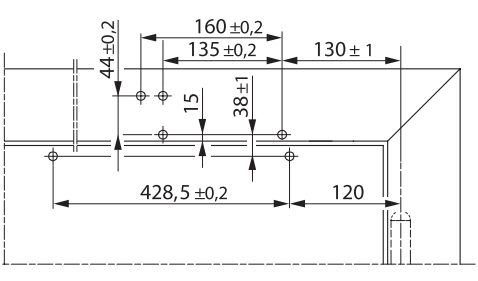
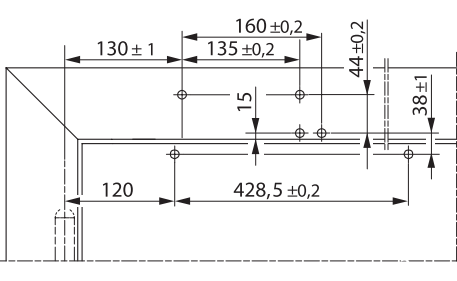
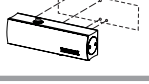
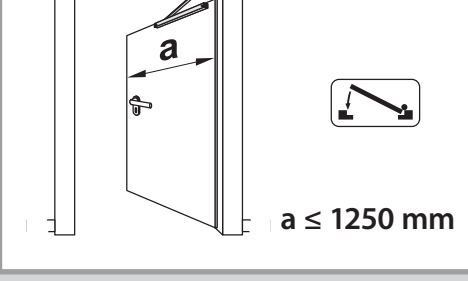
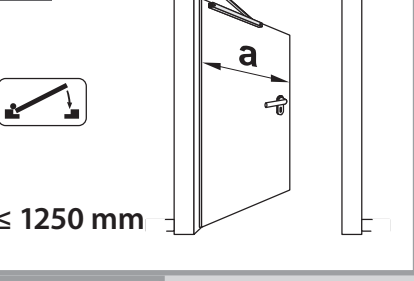
7



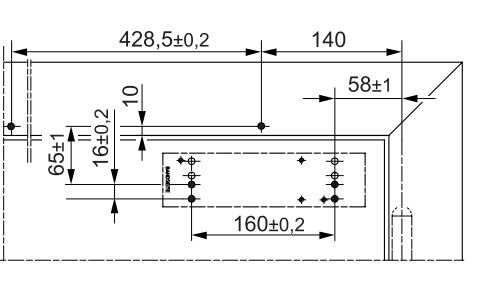
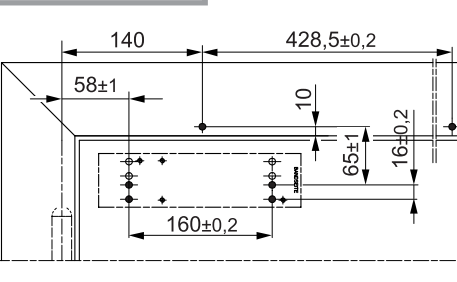
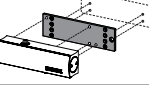
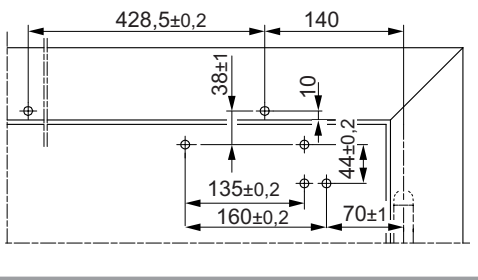
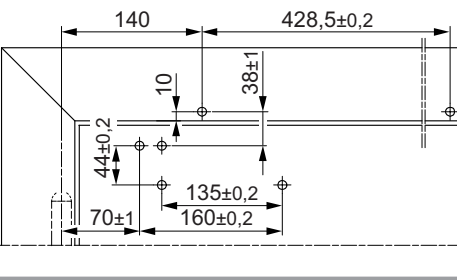
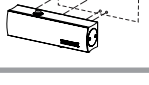
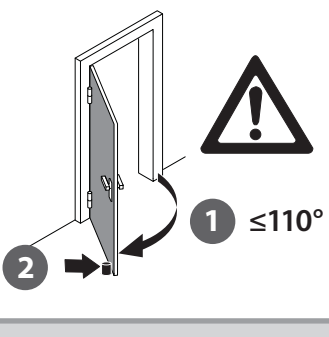
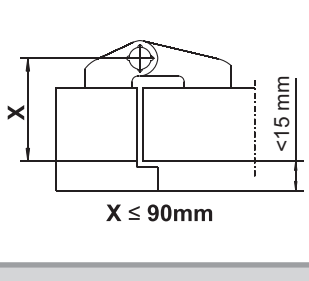
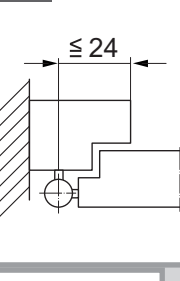
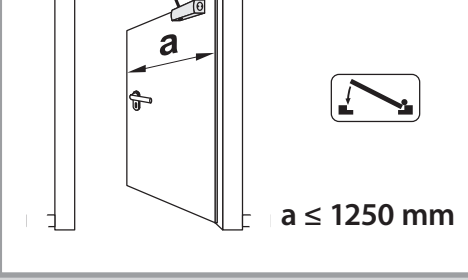
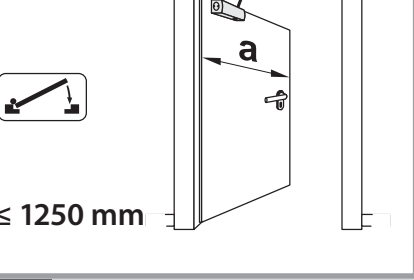
8



i



i



i

